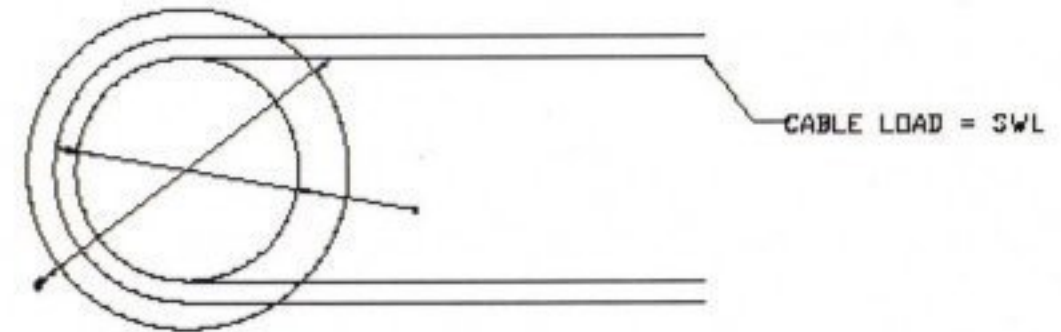
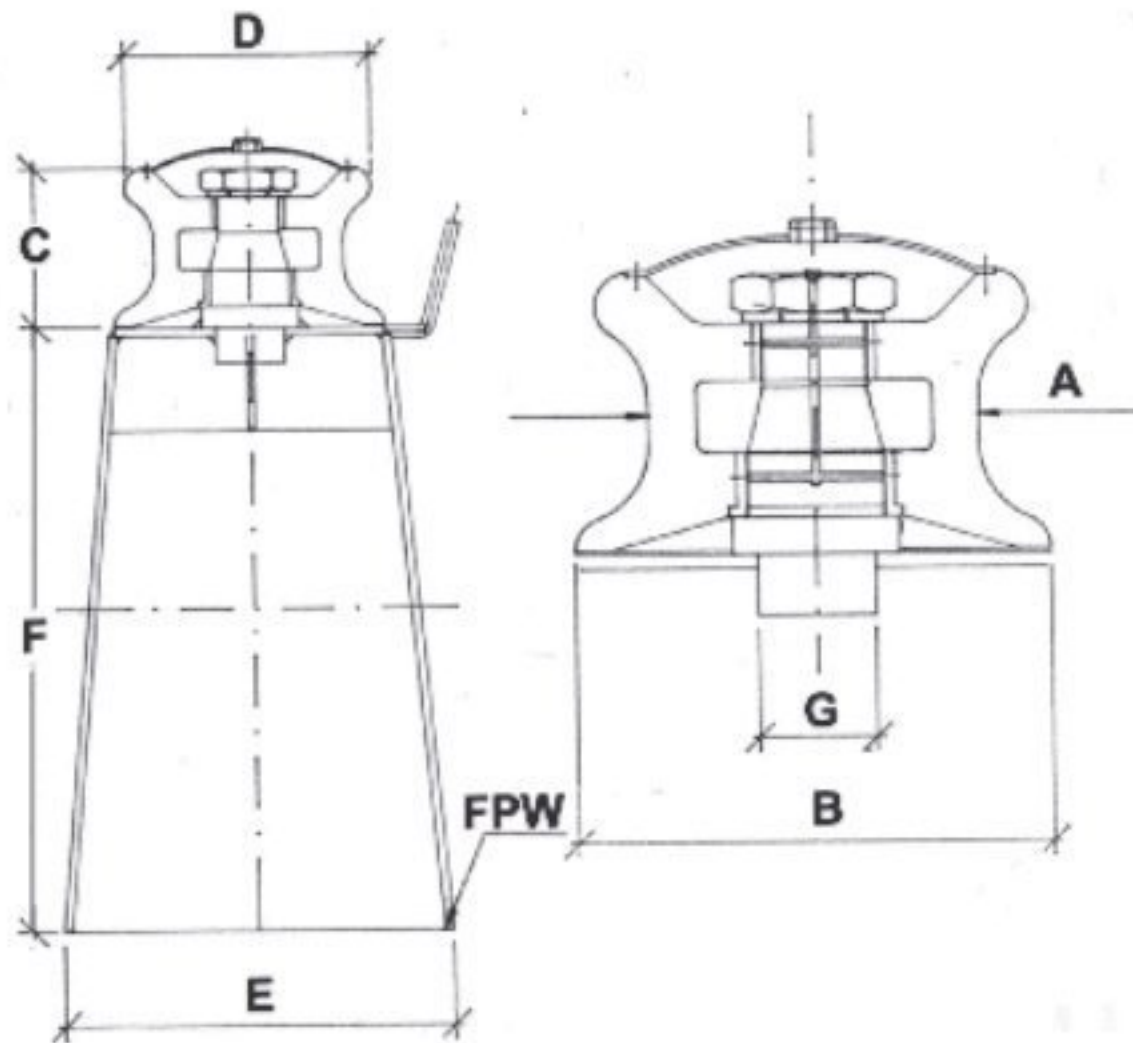


Pedestal rollers as per IMO MSC/Circ.1175 24 May 2005



NOTE:

THE SWL INDICATED IN THE TABLE IS THE CABLE PULL WITH 180° BEND AS PER OCIMF RECOMANDATION
 CONE MATERIAL Fe 430 ($\sigma_p = 275 \text{ N/mm}^2$)

Approved by:



RINA
150 YEARS

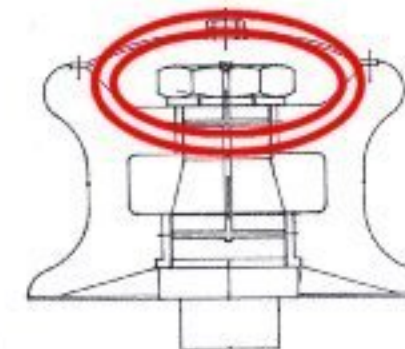


RUSSIAN MARITIME REGISTER OF SHIPPING

A (Diameter)	B	C	D	E	F	G	Cable Load = SWL (Kn)	SWL On Roller Throat
200	310	185	280	720	1100	80	107.9 KN	215.8 KN
250	380	249	340	720	1100	90	147.1 KN	294.2 KN
350	500	297	390	720	1100	125	323.7 KN	647.4 KN
450	620	230	620	720	1100	200	500.3 KN	1000.6 KN

Roller detail - LOCKING NUT

SEAMEN'S SAFETY IS OUR AIM!



Locking nut is big enough to avoid the roller accidentally slipping out.



Posidonia

Mooring and Towing marine equipment
 Proving house for anchors and chains