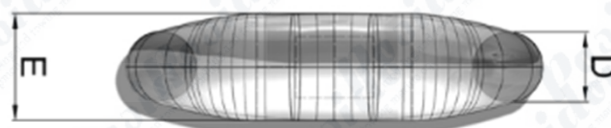
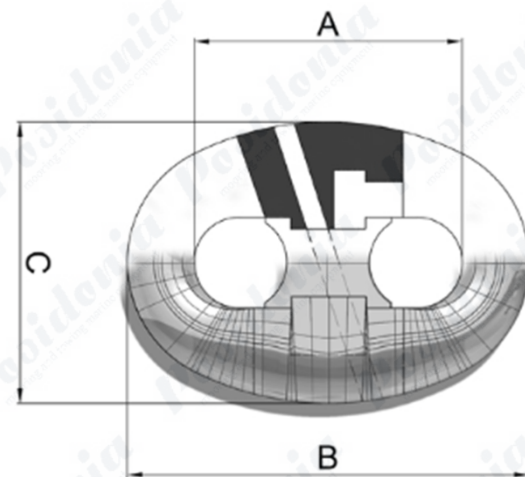
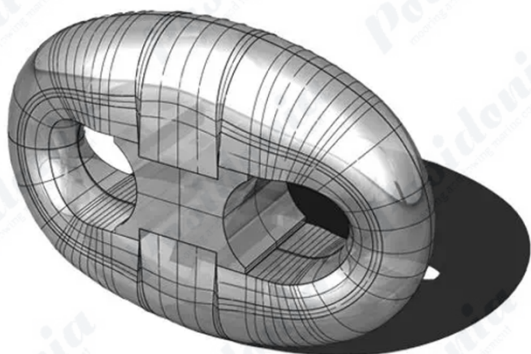


Kenter joining shackle



D	A	B	C	E	D	A	B	C	E
12,5	50	75	53	19	68	272	408	286	103
14	56	84	59	21	70	280	420	294	106
16	64	96	67	24	73	292	438	307	111
17,5	70	105	74	27	76	304	456	319	116
19	76	114	80	29	78	312	468	328	119
20,5	82	123	86	31	81	324	486	340	123
22	88	132	92	33	84	336	504	353	128
24	96	144	101	36	87	348	522	365	132
26	104	156	109	40	90	360	540	378	137
28	112	168	118	43	92	368	552	386	140
30	120	180	126	46	95	380	570	399	144
32	128	192	134	49	97	388	582	407	147
34	136	204	143	52	100	400	600	420	152
36	144	216	151	55	102	408	612	428	155
38	152	228	160	58	107	428	642	449	163
40	160	240	168	61	111	444	666	466	169
42	168	252	176	64	117	468	702	491	178
44	176	264	185	67	122	488	732	512	185
46	184	276	193	70	127	508	762	533	193
48	192	288	202	73	132	528	792	554	201
50	200	300	210	76	137	548	822	575	208
52	208	312	218	79	142	568	852	596	216
54	216	324	227	82	147	588	882	617	223
56	224	336	235	85	152	608	912	638	231
58	232	348	244	88	157	628	942	659	239
60	240	360	252	91	162	648	972	680	246
62	248	372	260	94	167	668	1002	701	254
64	256	384	269	97	172	688	1032	722	261
66	264	396	277	100	177	708	1062	743	269

Tolerance on sizes according to the each CLASS



The **Kenter Joining Shackle**, also called connecting link, Detachable shackle, etc .

It connects two pieces of chain cable, which have same diameter.

Available in **GRADE 2** and **GRADE 3**

Available in black bituminous paint execution, galvanized execution and in low magnetic permeability with CLASS certificate as LR,ABS,BV,DNV,RINA,RMRS,KR,NK etc