



Posidonia

HVFB



HV Fully Balanced High Holding Power Anchor

High Holding Power anchors allow a weight reduction of 25% compared to an ordinary anchor

The only one made in Italy by qualified workers

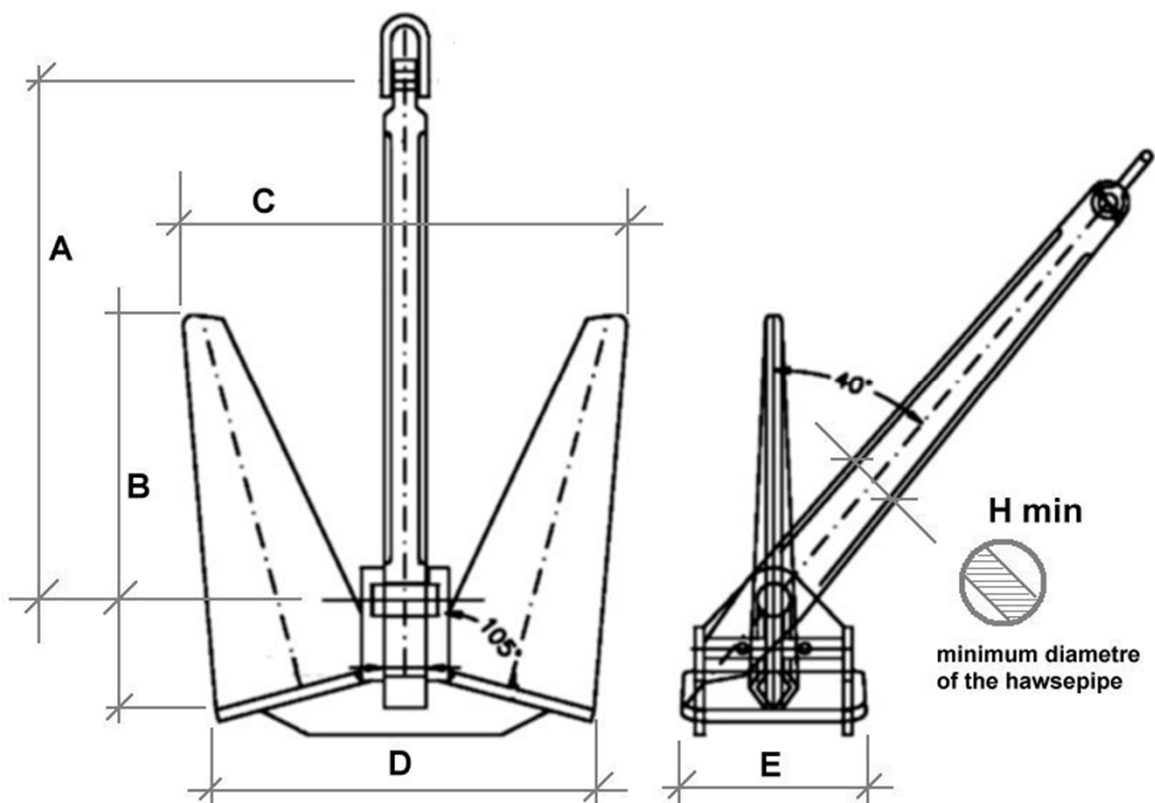
** 10% shortened shank possible

type approved by most important classification societies

Available in hot dip galvanized execution, stainless steel AISI 316 L mirror polished, electro-polished and super passivated



HV Fully Balanced High Holding Power anchor





Fully Balanced High Holding Power Anchor

Weight	A	B	C	D	E	H min	Weight	A	B	C	D	E	H min
Kg	mm	mm	mm	mm	mm	mm	Kg	mm	mm	mm	mm	mm	mm
12	378	217	320	271	151	67	700	1.466	842	1.242	1.052	586	258
16	416	239	353	299	166	73	720	1.480	850	1.254	1.062	592	260
20	448	257	380	322	179	79	750	1.500	861	1.271	1.076	600	264
24	476	273	404	342	191	84	765	1.510	867	1.280	1.084	604	266
32	524	301	444	376	210	92	800	1.533	880	1.299	1.100	613	270
40	565	324	478	405	226	99	855	1.567	900	1.328	1.125	627	276
45	587	337	498	421	235	103	900	1.594	915	1.351	1.144	638	281
48	600	344	508	431	240	106	1000	1.651	948	1.399	1.185	660	291
60	646	371	548	464	259	114	1080	1.694	972	1.435	1.216	678	298
80	711	408	603	511	285	125	1195	1.752	1.006	1.485	1.257	701	308
90	740	425	627	531	296	130	1250	1.779	1.021	1.507	1.276	711	313
105	779	447	660	559	312	137	1305	1.804	1.036	1.529	1.295	722	318
120	814	468	690	584	326	143	1440	1.865	1.070	1.580	1.338	746	328
125	826	474	700	592	330	145	1500	1.890	1.085	1.602	1.356	756	333
136	849	487	719	609	340	149	1575	1.921	1.103	1.628	1.379	768	338
145	867	498	735	622	347	153	1710	1.974	1.133	1.673	1.417	790	348
160	896	515	760	643	359	158	1845	2.025	1.163	1.716	1.453	810	356
180	932	535	790	669	373	164	1980	2.073	1.190	1.757	1.488	829	365
200	966	554	818	693	386	170	2115	2.119	1.217	1.796	1.521	848	373
225	1.004	576	851	721	402	177	2140	2.128	1.221	1.803	1.527	851	375
240	1.026	589	869	736	410	181	2295	2.178	1.250	1.845	1.563	871	383
270	1.067	613	904	766	427	188	2475	2.233	1.282	1.892	1.603	893	393
280	1.080	620	915	775	432	190	2655	2.286	1.312	1.937	1.641	915	402
315	1.123	645	952	806	449	198	2840	2.338	1.342	1.981	1.678	935	412
360	1.175	674	995	843	470	207	3040	2.392	1.373	2.027	1.716	957	421
400	1.217	698	1.031	873	487	214	3240	2.443	1.403	2.070	1.753	977	430
430	1.246	715	1.056	894	499	219	3440	2.493	1.431	2.112	1.789	997	439
480	1.293	742	1.095	928	517	228	3670	2.547	1.462	2.158	1.828	1.019	448
495	1.306	750	1.107	937	522	230	3950	2.610	1.498	2.212	1.873	1.044	459
520	1.328	762	1.125	953	531	234	4000	2.621	1.505	2.221	1.881	1.048	461
560	1.361	781	1.153	977	544	240	4210	2.666	1.530	2.259	1.913	1.066	469
585	1.381	793	1.170	991	552	243	4500	2.726	1.565	2.310	1.956	1.090	480
600	1.393	799	1.180	999	557	245	4840	2.793	1.603	2.367	2.004	1.117	492
640	1.423	817	1.206	1.021	569	250	4950	2.814	1.615	2.384	2.019	1.126	495
675	1.448	831	1.227	1.039	579	255							

