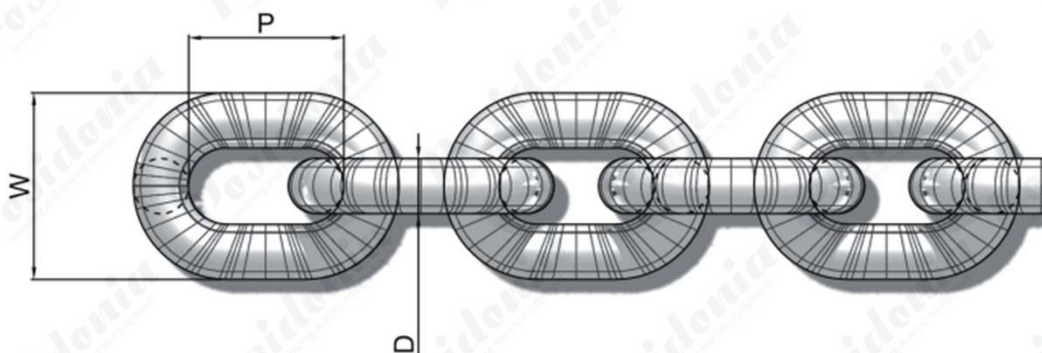


Studless chain calibrated



Diam. (D)	Pitch (P)	External Width (W)	Mass	Grade SL1		Grade SL2		Grade SL3	
				Proof Load	Breaking Load	Proof Load	Breaking Load	Proof Load	Breaking Load
mm	mm	mm	kg/m	kN	kN	kN	kN	kN	kN
6	18	21	0,8	6,5	13	9	18	13	26
8	24	27	1,4	12	24	17	34	24	48
10	30	34	2,2	18,5	37	26	52	37	74
12	36	41	3,1	29	58	41	82	58	116
14	42	48	4,4	39	78	55	110	78	156
16	48	54	5,7	47,5	95	67	134	95	160
18	54	61	7,3	67	134	95	190	134	268
20	60	68	9	78	156	111	222	156	312
22	66	75	11	90	180	128	256	180	360

The tolerance on the nominal diameter: $\pm 5\%$;
 The tolerance on the pitch: $\pm 3\%$;
 The tolerance on the length measured on 11 links: $\pm 2\%$
 Estimated Volume = 0,35 m³ * Tonne

Studless chain CALIBRATED according to **ISO** standard (3*D) suitable for barbotins.

Not suitable for lifting purpose.

Available in galvanized version and stainless steel version

Available certificates: work certificate, **RINA** and **BV** acc. to SL1, SL2, SL3 marine

Standard lengths: 50 meters, 100 meters, 110, meters, 127 meters, 137,5 meters, 150 meters, 165 meters.

Custom lengths on request.

Bigger and longer **end links** are available on request to connect easily the chain to the anchor and or to any hook.

