



Posidonia

Chain stopper roller type



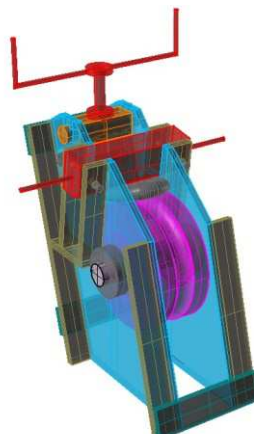
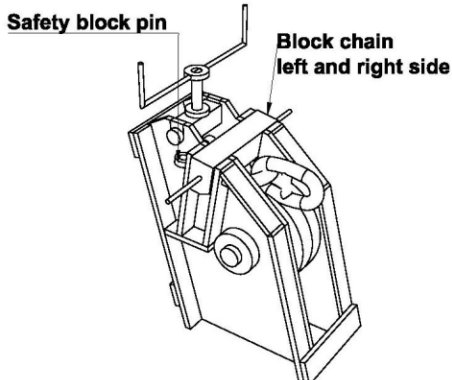
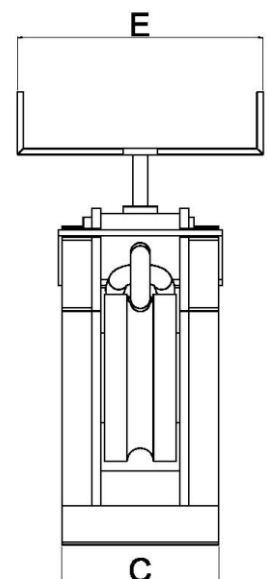
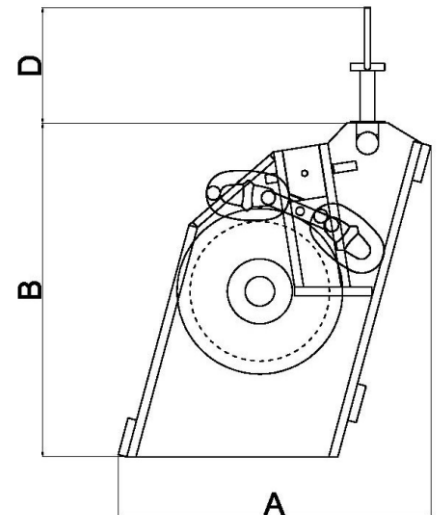
Suitable for stud link chain from diam 20,5 mm up to 54 mm GRADE 2 and 3

Made of high tensile strength certified plated, NO cast steel components

Withstand 80% of Chain Cable Braking Load

Available with Work certificate or class certificate

| Diam. Chain | A | B | C | D | E |
|---------------|------|------|-----|-----|-----|
| 20,5 - 22- 24 | 453 | 484 | 225 | 167 | 351 |
| 26 - 28 - 30 | 528 | 565 | 262 | 195 | 410 |
| 32 - 34 - 36 | 679 | 726 | 337 | 251 | 527 |
| 38 -40 - 42 | 793 | 847 | 393 | 292 | 615 |
| 44 - 46 - 48 | 906 | 968 | 449 | 334 | 703 |
| 50 - 52 - 54 | 1019 | 1089 | 505 | 376 | 791 |



POSIDONIA SRL Head Office: Via Trattato di Maastricht 10 – CAP 15067 - Novi Ligure - AL Italy

Via Giovanni da Verrazzano 12 - CAP 16165 - Genova - GE – Italy

Phone +39 0143 76669 - Fax +39 0143 143 2230 - Email posidonia@posidonia.com

Copyright © 2012 POSIDONIA SRL - PARTITA IVA 01289670109